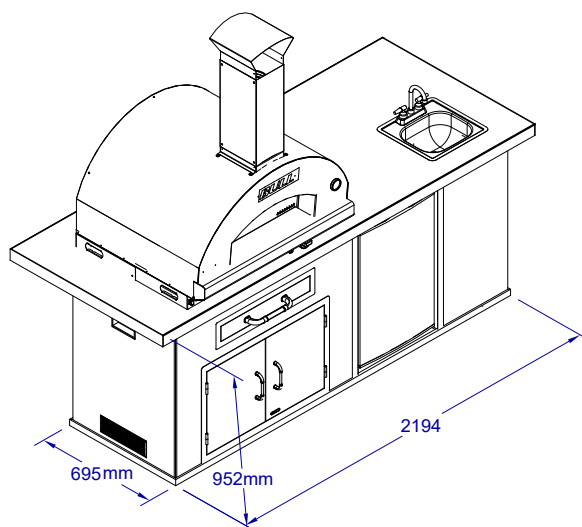
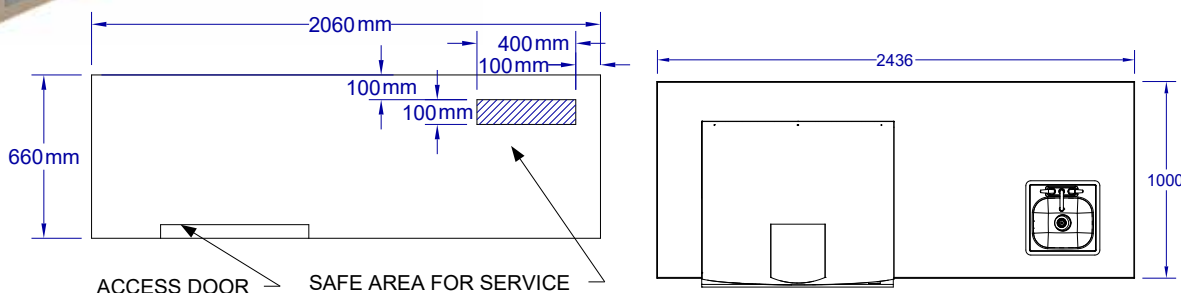


# Pizza Q Island



The new Pizza Q Outdoor Island Kitchen is built for the ultimate pizza party. Our new wood-fired oven is built in Italy with solid welded construction, steel & electro galvanized steel. This pre-assembled oven sits in a very functional structure that has seating at both ends of the of the bar.



Standard Features	Stucco #31099 Rock /Gres #31100	Standard Features	Stucco #31099 Rock /Gres #31100
Recommended Use.	Commercial / Residential	Upgrade S/Steel Lining with middle shelf for Above.	Vertical Door #LINVD
Grill Type as Standard.	#66024	Upgradeable Drawers Single Drawer#09970 can fit only with #89970 <b>when under a Grill.</b>	x
Standard Fridge #11002.	✓	<b>Optionals.</b>	
Stucco Base Standard.	✓	Grill Frame optional.	x
Rock / Gres Base Standard.	x	Side Burner optional.	x
Tile Top 30cm x 30cm with Bullnose Single Tone or 2-Tone.	✓	Fridge optional.	x
Horizontal Access Door with Lock & Key #89970	✓	Bar Caddy optional.	x
Power outlet & Switch.	x	Cutting Board optional.	x
Sink & Faucet Standard ✓ or N/A x	✓	Bottle Opener optional #66006.	✓
<b>Structure Dimensions.</b>		Large vertical door option for gas bottle insertion from SIDE. <b>No linings possible on face.</b>	x
Base Footprint Size.	206 x 65 cm	<b>Warranty Details.</b>	
Top Size.	206 x 100 cm	Island Structure.	2 years
Upgrades and Downgrades of Optional Grills within the same size kitchen structure. <b>Brahma add102MM to Base and Top.</b>	#66040 Extra Large Wood Oven #66124CE Large Gas Oven #66140 Extra Large Wood Oven	Kitchen Top.	2 years
Upgrade Base Options	Stucco Rock #12397/ Base tile Trim Upgrade #12406	Gas Flexible Hose. *As per international Gas Safety Regulations.	*2 years <b>*Must replace every 2 years.</b>
Upgrade from Tile Top To Solid Gres Coverlam and Stainless Steel Bullnose.	#43010	<b>Packing Dimensions.</b>	
Upgrade Stainless Steel Lining with middle shelf for #89970	#LINHD	Wooden Crate Length.	260 cm
Upgradeable Doors Angus match Codes Only.	x	Wooden Crate Width.	100 cm
		Wooden Crate Height.	202 cm
		Wooden Crate Cube.	5.25 cm
		Complete Crated Weight.	Stucco 300.00Kg - Rock 380.00Kg